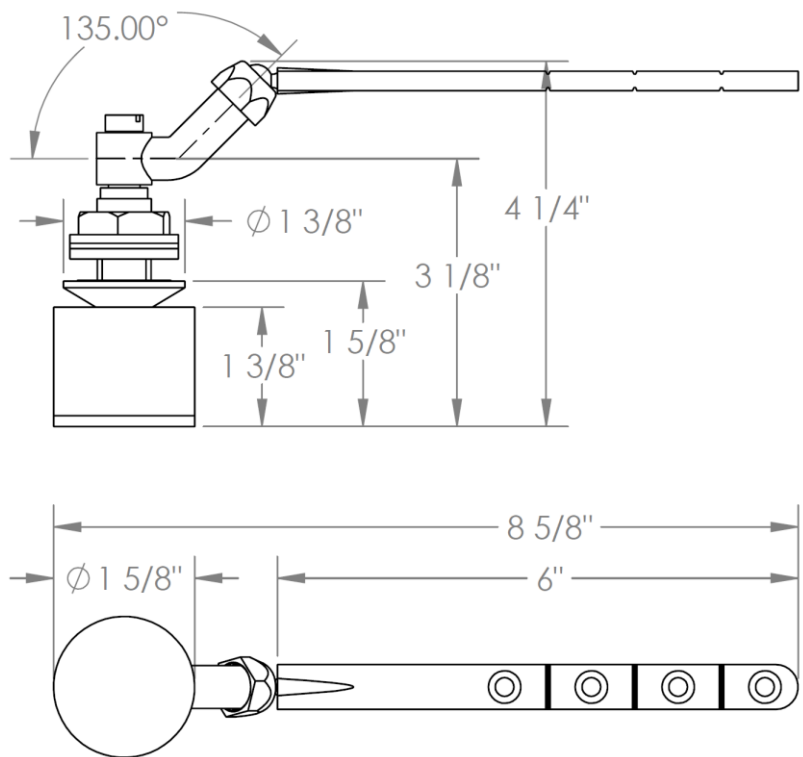
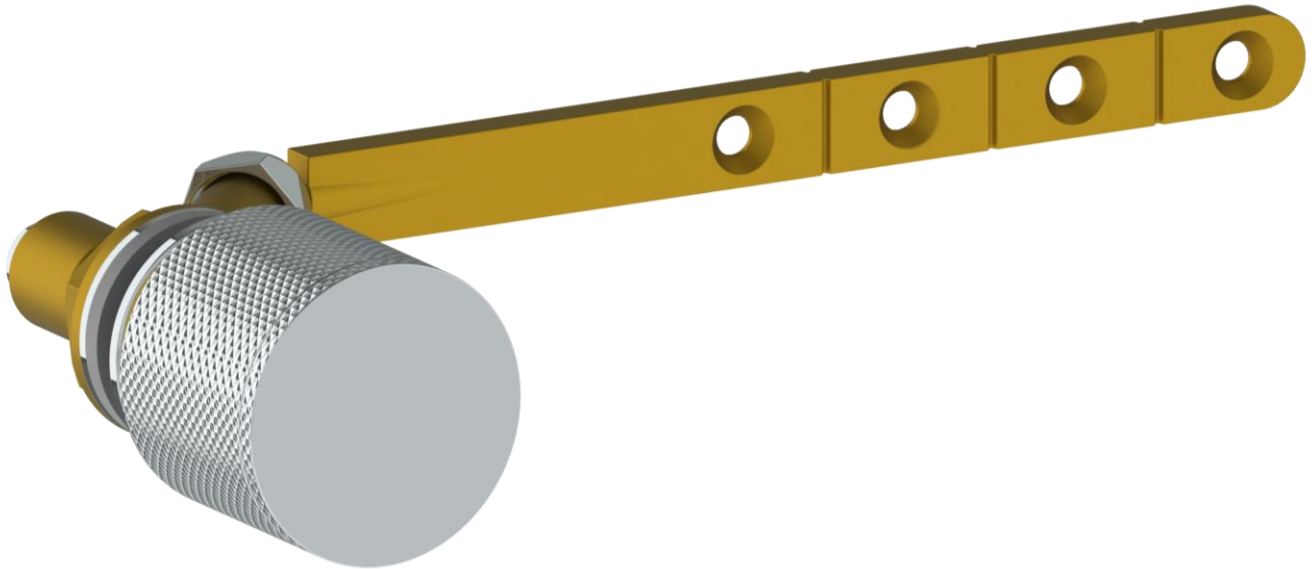


22-0.11-TIA

Tank Lever

Front, Side or Angle Mount

Note: Watermark cannot guarantee fit with any specific tank. Please check dimensions for compatibility



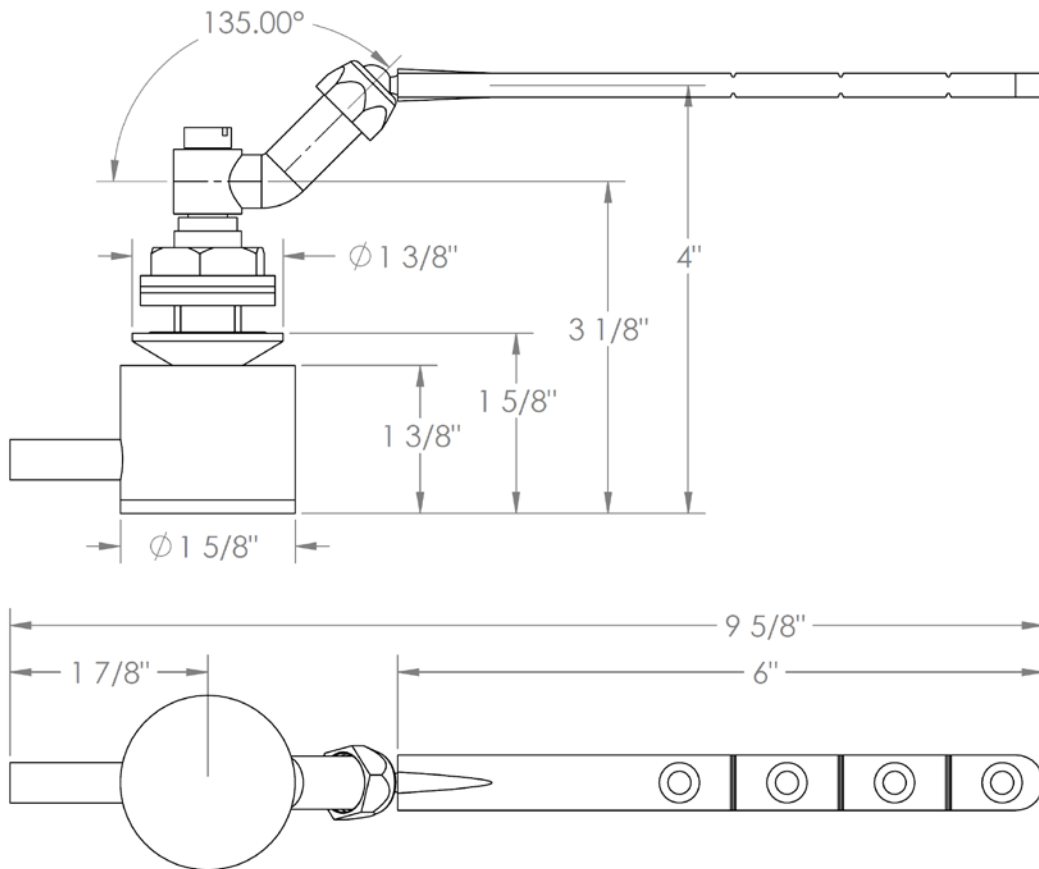
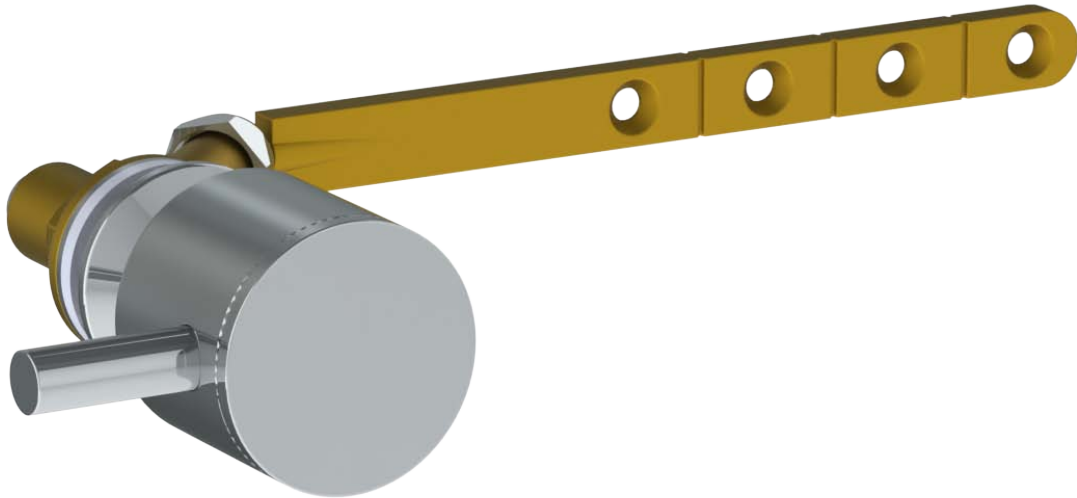
WATERMARK DESIGNS 11/28/2018

350 Dewitt Ave Brooklyn NY 11207 USA T 718 257 2800 F 718 257 2144 info@watermark-designs.com

22-0.11-TIB

Tank Lever - Front, Side or Angle Mount

Note: Watermark cannot guarantee fit with any specific tank. Please check dimensions for compatibility.



WATERMARK DESIGNS 5/7/2018

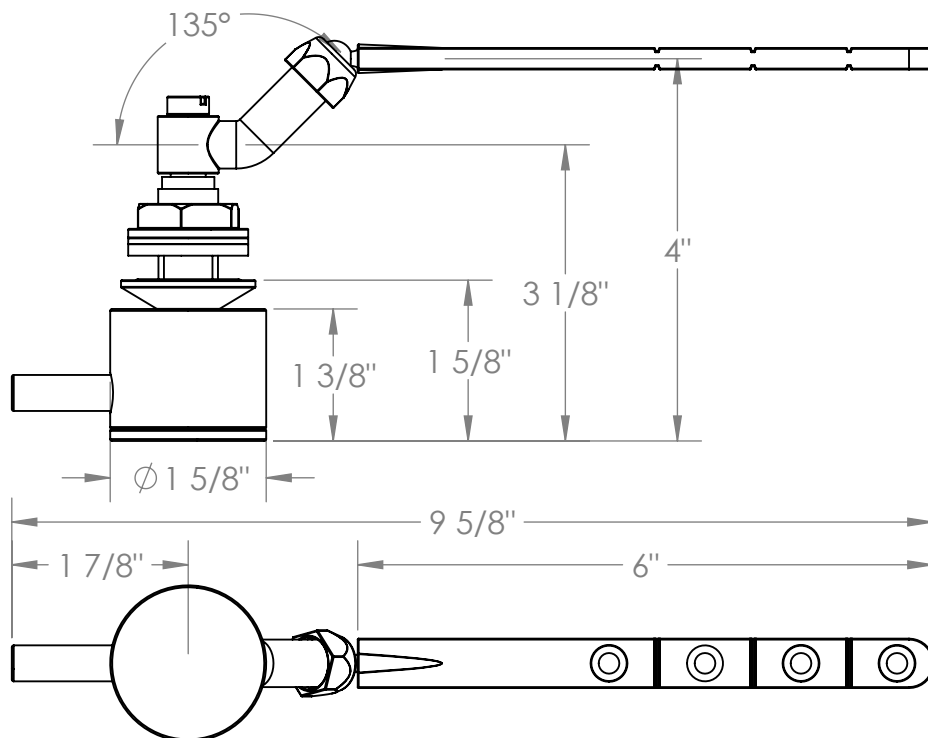
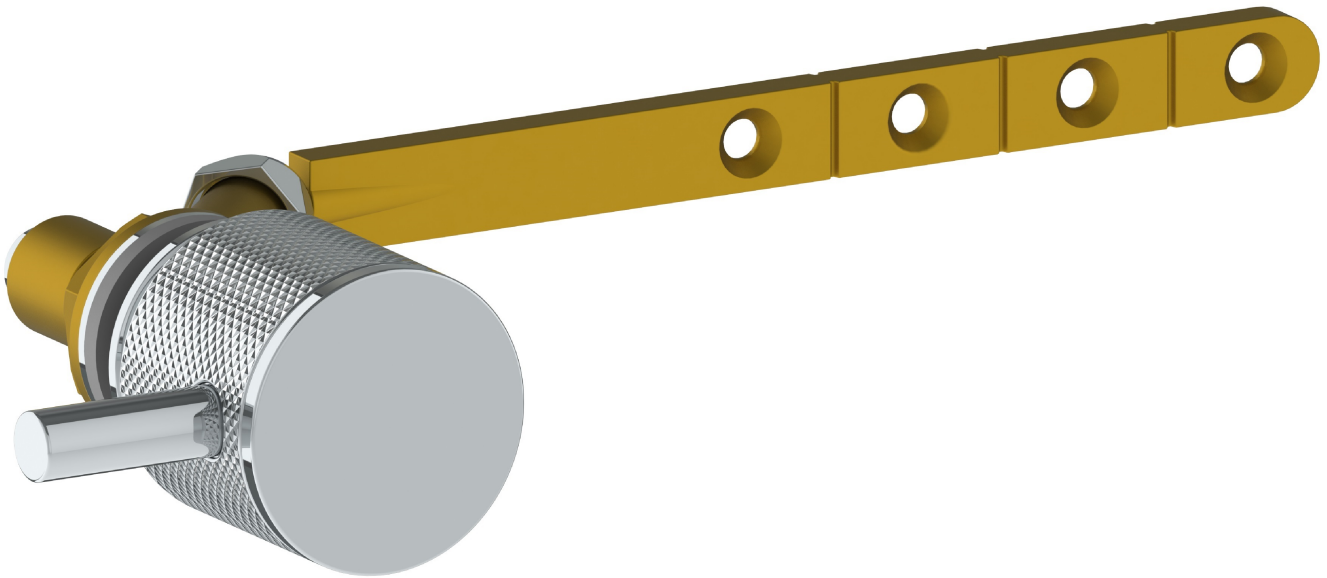
22-0.11-TIC

Tank Lever

Front, Side, or Angle Mount

Note: Watermark cannot guarantee fit with any specific tank.

Please check dimensions for compatibility.



Meets the applicable requirements of ASME A112.18.1-2005/CSA B125.1-05, entitled "Plumbing Supply Fittings"

WATERMARK DESIGNS 9/3/2019

350 Dewitt Ave Brooklyn NY 11207 USA T 718 257 2800 F 718 257 2144 info@watermark-designs.com